

**FaxBack Document
Retrieval System for TVIP
Installation Instructions,
Owner's Guides, etc.**

Thank you for using the Fujitsu Ten FaxBack document retrieval system! This system is configured to send no more than four faxes per month to a particular phone number. If you need additional manuals, please call (800) 237-5413 and ask for TVIP technical assistance.

COMING SOON

TVIP owner's manuals, EWDs and troubleshooting will be available soon.

REMEMBER...

For technical assistance, call (800) 237-5413 and ask for TVIP technical assistance.



INSTALLATION INSTRUCTIONS

'96/'97

4 RUNNER

RS3000 SECURITY SYSTEM

PART NUMBER	RS3000 BASE KIT (NEW)	08585-00920
	4 RUNNER RS3000 FITTING KIT	08586-35950

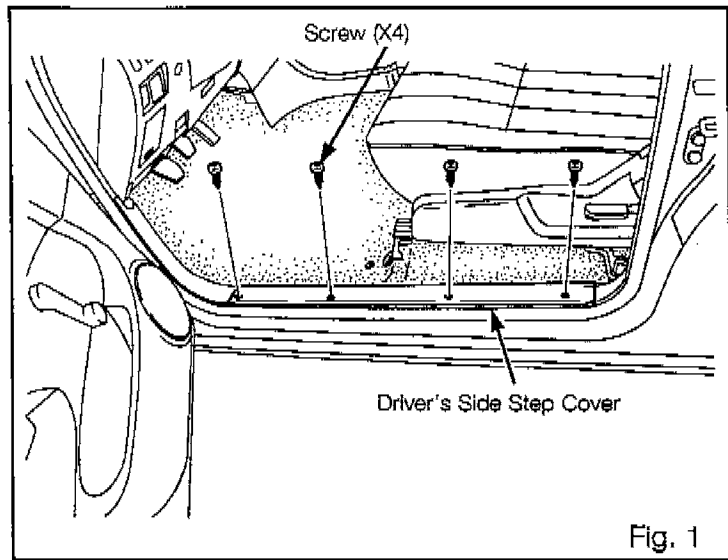
	Description	Service P/N	Q'ty
RS3000 BASE KIT (NEW) CONTENTS	RS3000 ECU	08190-00921	1
	Remote Control Transmitter	08191-00870	2
	Glass Breakage Sensor ECU	08192-00970	1
	Owner's Guide		1
	Insurance Information Form		1
	Warning Labels		2

4 RUNNER RS3000 FITTING KIT CONTENTS	RS3000 Wire Harness For 4 Runner		1
	RS3000 Status Monitor ("Universal")	08192-00990	1
	Piezo "Chirper" (Includes Wiring)	08192-12920	1
	Foam Tape (2 Pieces)		1
	Splicing Connector (Red)		7
	Wire Tie (XL Reusable) (For ECU)		1
	Wire Tie (Large)		2
	Wire Tie (Medium)		16

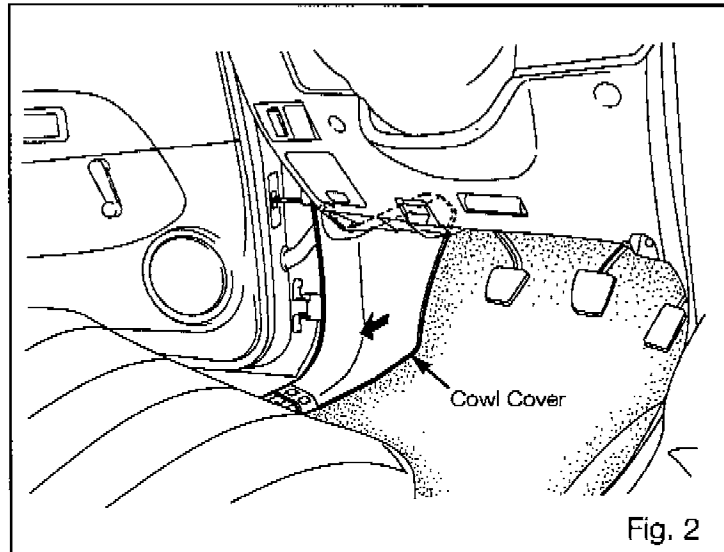
REQUIRED TOOLS AND MATERIALS	Description
	Pneumatic/Electric Wrench
	10mm Socket
	Pliers
	Nylon Removal Tool
	#2 Phillips Bit/Screwdriver
	Small Flat Blade Screwdriver
	Tape Measure
	Utility Knife
	Electrical Tape
	Marking Pen
	Side Cutters
	Striker (PIO)/Key
	Clean, Lint Free Cloth
	50/50 Mix Of Water/Isopropyl Alcohol

VEHICLE DISASSEMBLY

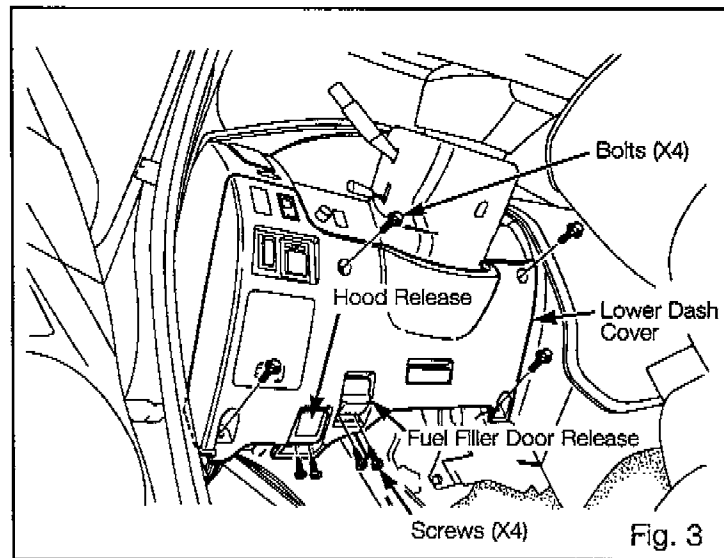
- (1) Remove the driver's side step cover.
(4 screws) Fig 1



- (2) Remove the driver's side cowl cover.
Fig 2



- (3) A) Remove the hood release and fuel filler door release (4 screws) Fig 3
B) Remove the lower dash cover.
(4 bolts) Fig 3



(4) A) Turn the steering wheel to the left, and remove the screw. (1 screw)
Fig 4

B) Turn the steering wheel to the right, and remove the screw. (1 screw)
Fig 4

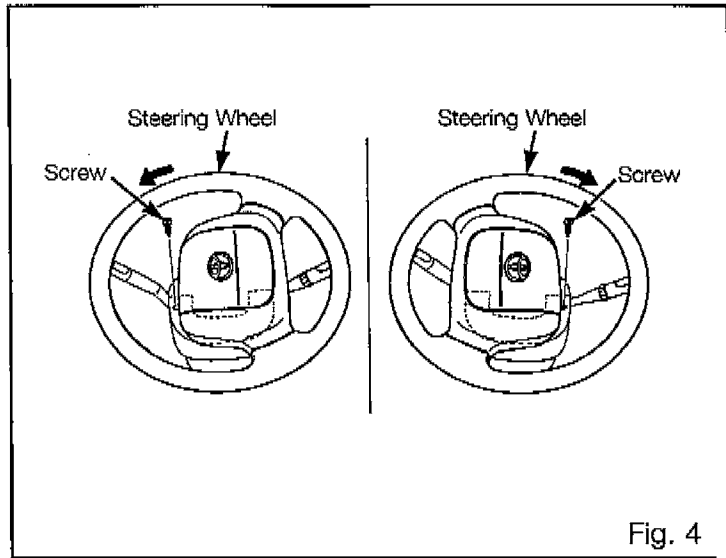


Fig. 4

(5) Remove the lower steering column cover. (1 screw) Fig 5

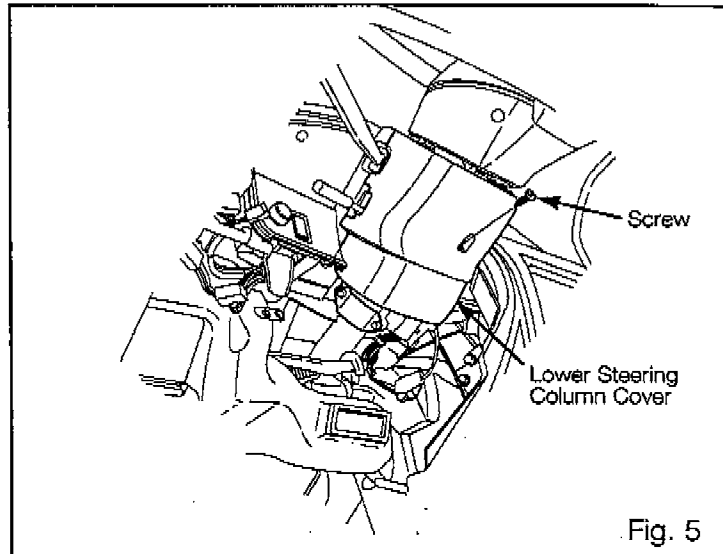


Fig. 5

(6) Remove the heater duct. (1 screw) Fig 6

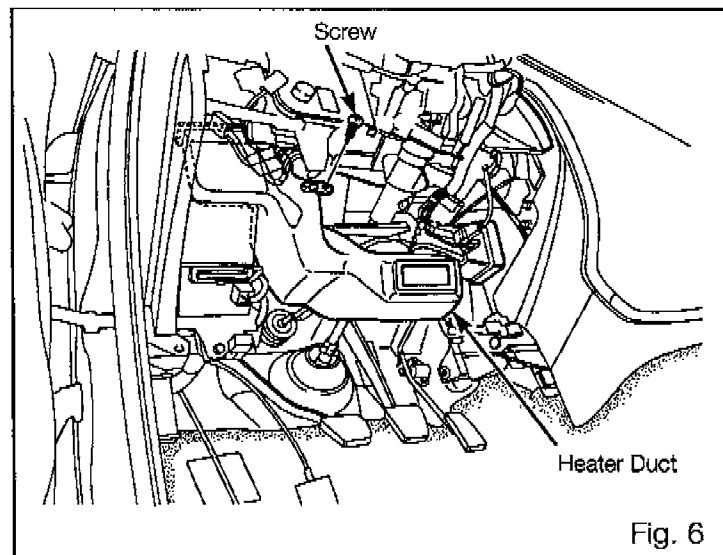
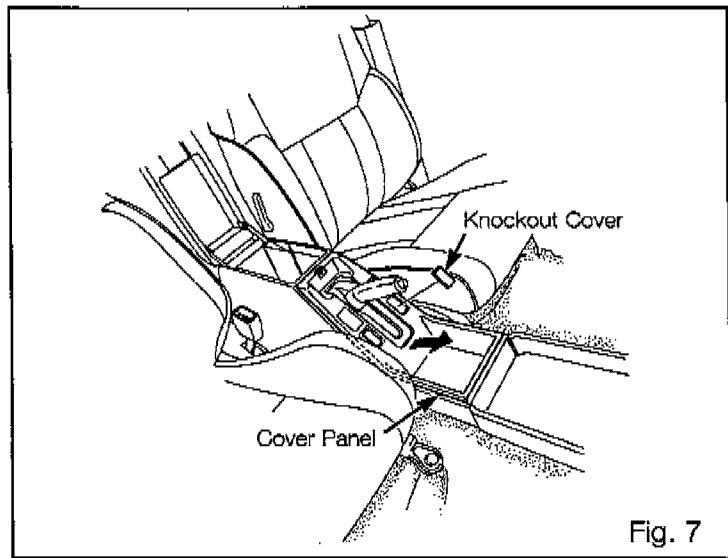


Fig. 6

- (7) A) Remove the cover panel from the center console rear section. (clips) Fig 7

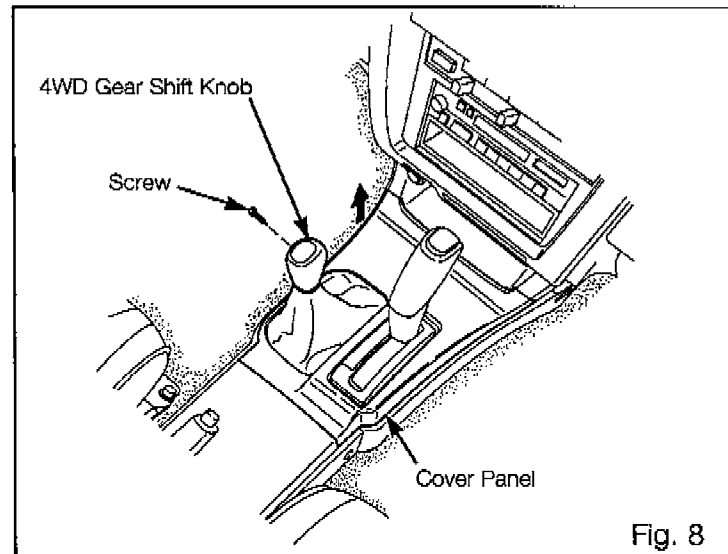
- B) Remove and discard the knockout cover as shown. Fig 7



FOR A/T VEHICLES

- (8) A) Remove the 4WD gear shift knob. (1 screw) Fig 8

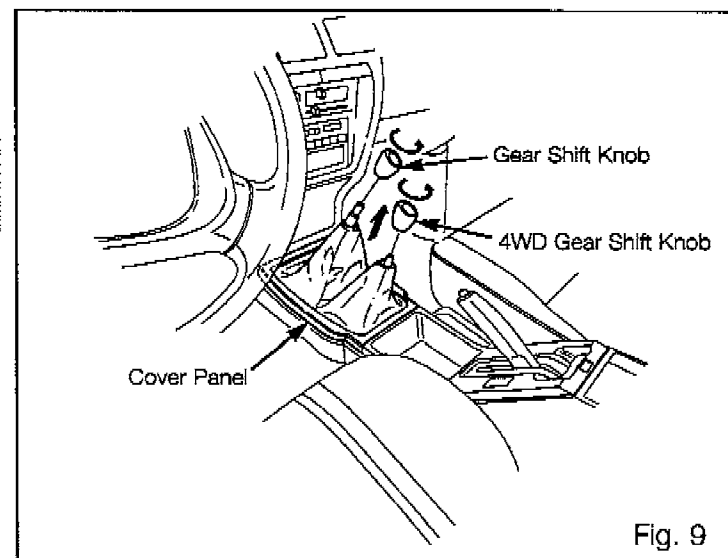
- B) Remove the cover panel from the center console front section. (4 clips) Fig 8



FOR M/T VEHICLES

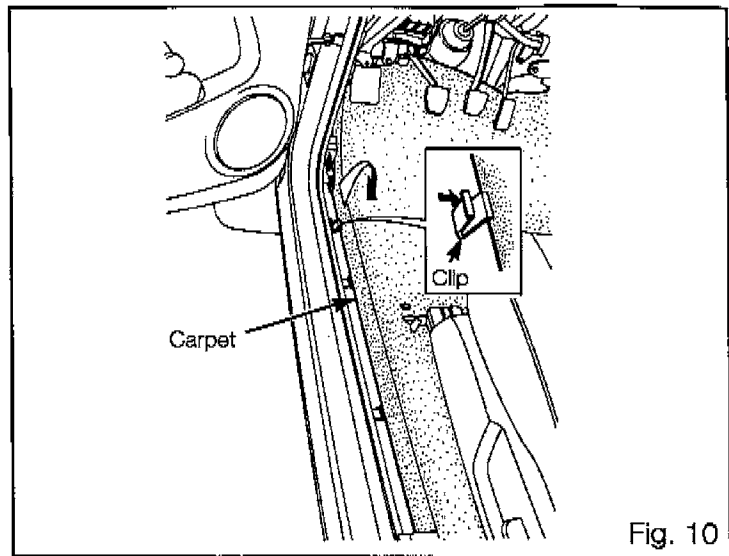
- (8) A) Remove the gear shift knobs. Fig 9

- B) Remove the cover panel from the center console front section. (4 clips) Fig 9



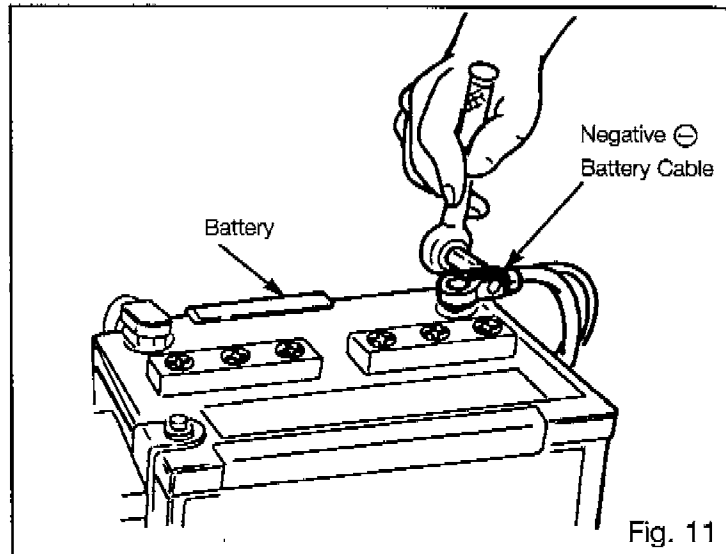
FOR ALL VEHICLES

(9) Peel back the carpet. (clips) Fig 10



(10) Remove the negative battery cable.
Fig 11

—VEHICLE DISASSEMBLY COMPLETE—



SYSTEM LAYOUT AND CONNECTIONS

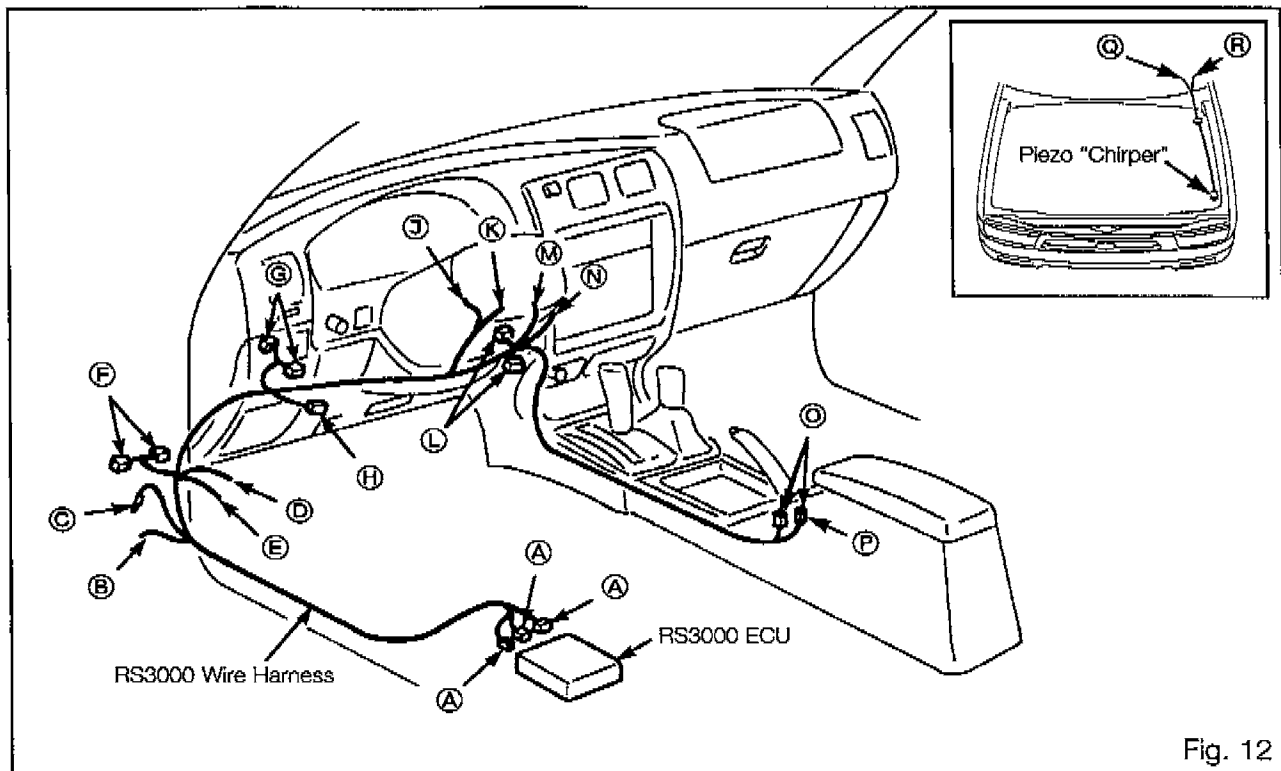


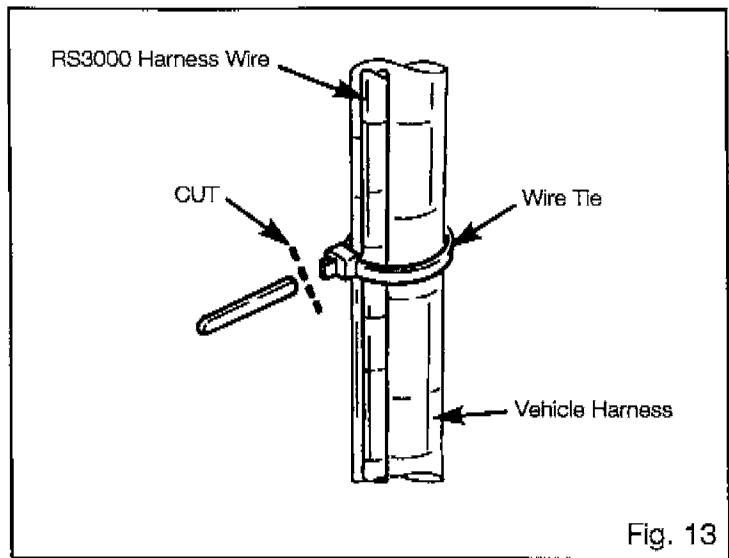
Fig. 12

A	RS3000 ECU Connectors (10P, 10P, 4P)	K	Horn Wire (GREEN/RED)
B	Tailgate Courtesy Wire (RED/WHITE)	L	Ignition Switch Connectors (8P)
C	Tailgate Window Down Detection Wired Pin (GREEN/YELLOW)	M	Key Unlock Warning Wire (PINK/BLACK)
D	Piezo "Chirper" ⊕ Output Wire (RED)	N	Antenna Wire (GRAY)
E	Piezo "Chirper" ⊖ Output Wire (BLACK)	O	Status Monitor LED Connector (2P Clear)
F	Door Lock Control Connectors (13P Blue)	P	Status Monitor Microphone Connector (2P Blue)
G	Door Courtesy Connectors (3P)	Q	Piezo "Chirper" ⊕ Wire (RED)
H	Glass Breakage Sensor Controller Connector (6P)	R	Piezo "Chirper" ⊖ Wire (BLACK)
J	Tail Light Wire (RED/WHITE)		

PIEZO "CHIRPER" INSTALLATION

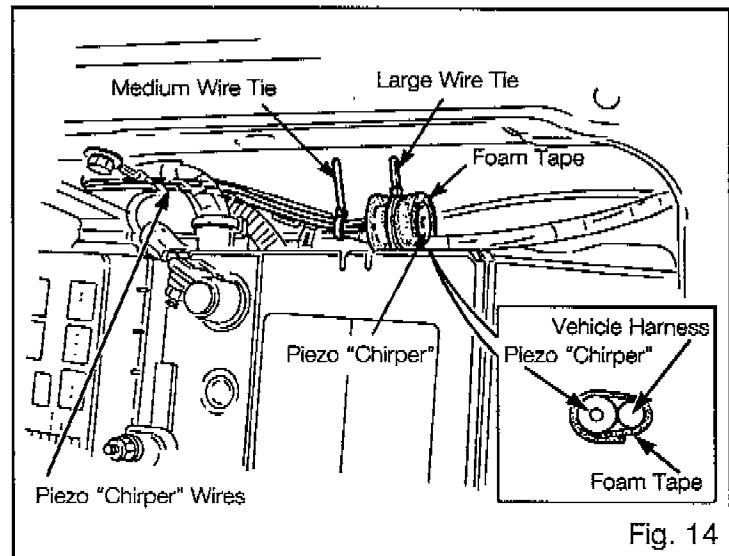
NOTE

AFTER SECURING WIRES OR PARTS WITH WIRE TIES, CUT OFF THE EXCESS PORTION. FIG 13

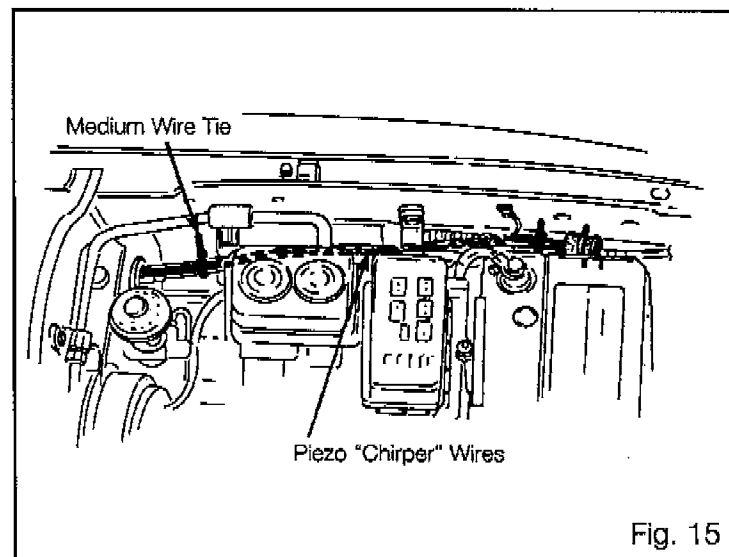


- (1) A) Using a strip of supplied foam tape and a large wire tie, secure the Piezo "Chirper" to the vehicle's wire harness near the battery as shown. Fig 14

- B) Secure the Piezo "Chirper" RED and BLACK wires to the vehicle's wire harness with a medium wire tie, and route them toward the back of the engine compartment as shown. Fig 14



- (2) Continue routing the Piezo "Chirper" RED and BLACK wires along the vehicle's wire harness, and secure them near the grommet with a medium wire tie as shown. Fig 15



- (3) Route the Piezo "Chirper" RED and BLACK wires through the grommet on top of the heater control cable. Fig 16



TIP

TO ENABLE EASIER FEEDING OF THE PIEZO "CHIRPER" RED AND BLACK WIRES INTO THE PASSENGER'S COMPARTMENT, INSERT A PAIR OF LONG, THIN TWEEZERS THROUGH THE OPENING WITH THE WIRES TIED SECURELY AROUND THE END.

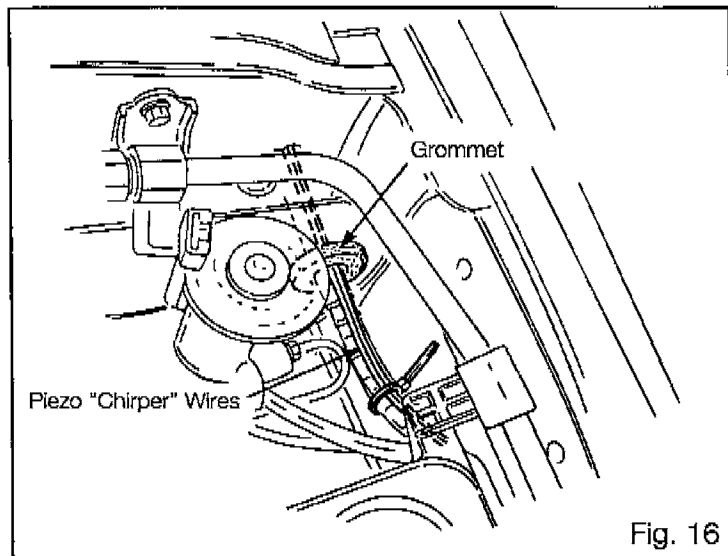


Fig. 16

- (4) A) Inside the passenger compartment, peel up the vehicle's wire harness cover. Fig 17

- B) Pull the entire length of the Piezo "Chirper" RED and BLACK wire into the passenger's compartment, and cut off the excess portion as shown. Fig 17

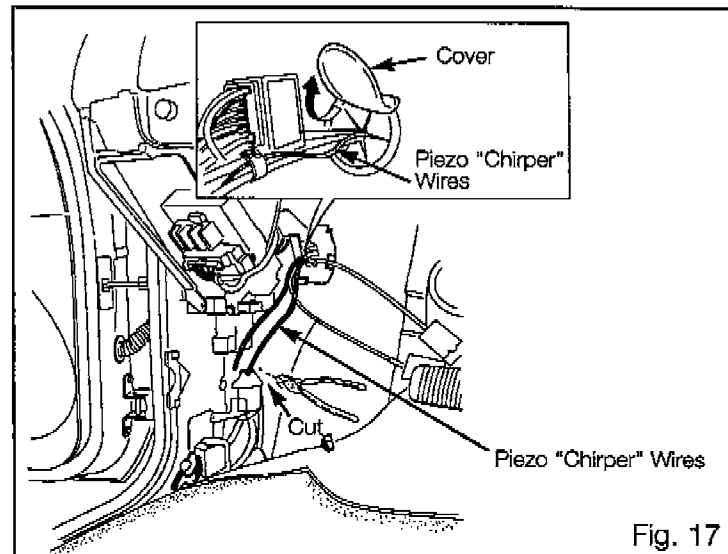


Fig. 17

WIRE HARNESS INSTALLATION

- (1) Route the RS3000 harness' 10P, 10P and 4P connectors beneath the carpet under the driver's seat, and out through the large slit. Fig 18

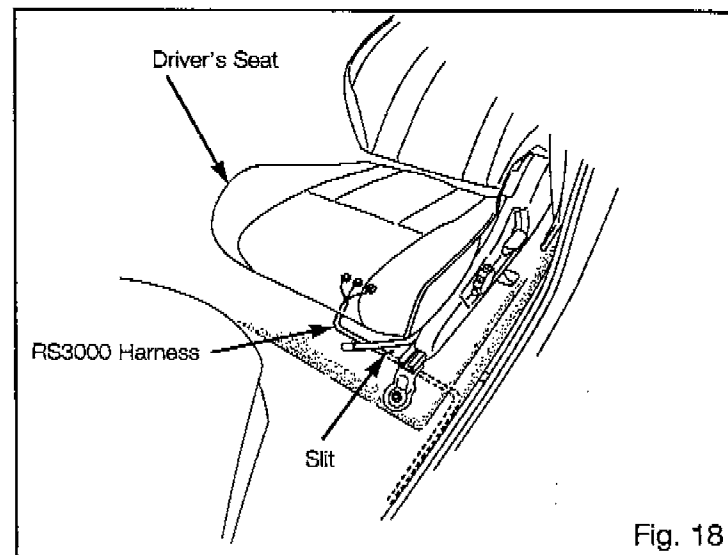


Fig. 18

WIRE SPlicing CONNECTOR INSTRUCTIONS

- A) Position the open-ended side of a splicing connector over the vehicle's wire harness as shown. (A)
- B) Close the top and bottom halves of the open-ended side of the connector together with pliers, squeezing them together until they lock. (B)
- C) Some RS3000 harness' wires may be longer than necessary, depending on the vehicle application. Determine the proper length for a wire, allowing for routing and securing the harness, and cut off the excess. (C)
- D) Position the RS3000 harness' wire onto the closed-end side as shown. (D)
- E) Close the top and bottom halves of the connector together with pliers, squeezing them together until they lock. (E)

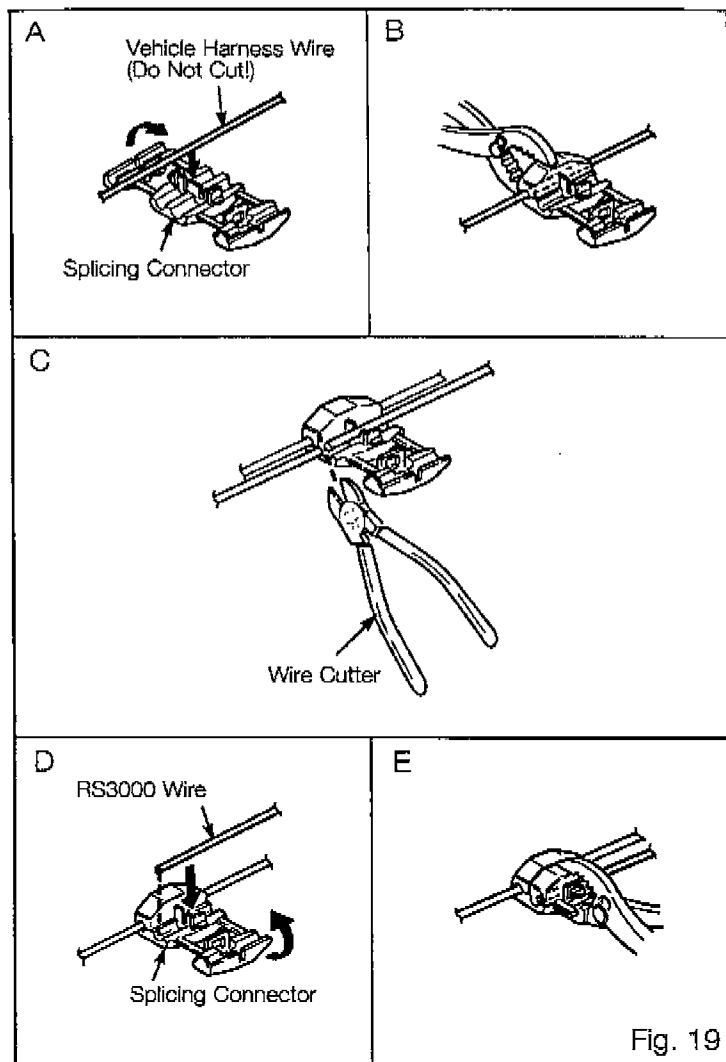


Fig. 19

- (2) A) Route the RS3000 harness to the driver's cowl area. Fig 20
- B) Locate the 26P connectors at the bottom of the driver's cowl area. Fig 20
- C) Locate the exposed wire in the fourth row from the top, left corner. Using a splicing connector, attach the RS3000 harness' RED/WHITE Tail Light wire. Fig 20

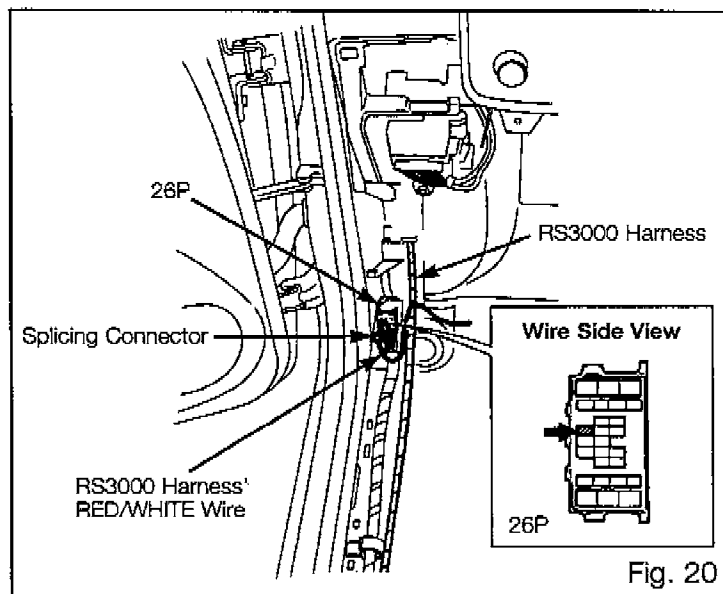


Fig. 20

- (3) A) Locate the 17P connectors above the 26P connectors. Fig 21
- B) Peel up the cover, and disconnect the female (terminals) connector. Fig 21

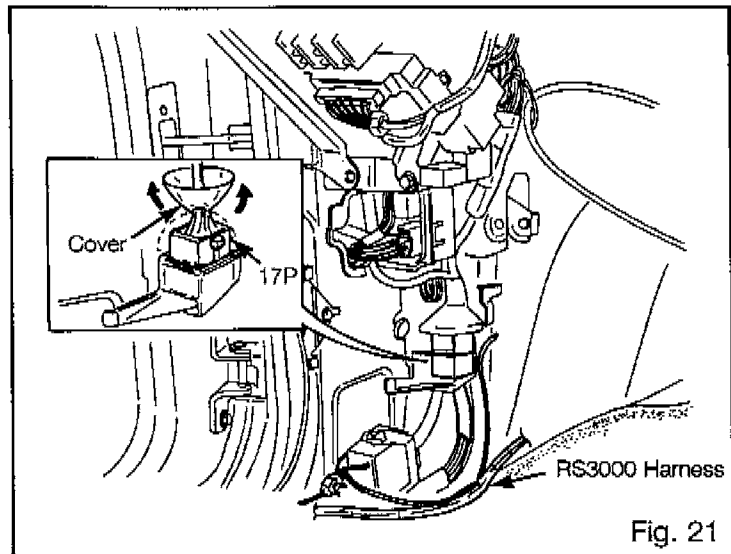


Fig. 21

- (4) A) Locate the lock tabs on the bottom of the female (terminals) 17P connector. Fig 22
- B) Using a small, straight blade screwdriver, pick and unlock the tabs. Fig 22

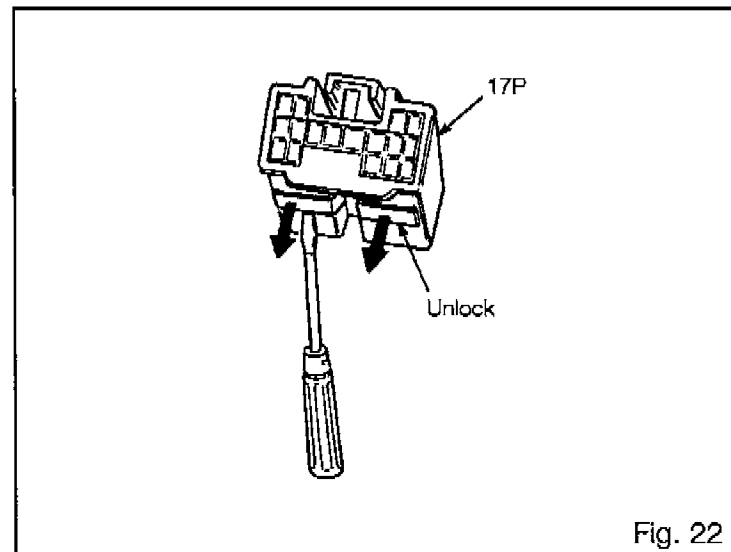


Fig. 22

- (5) A) Turn the connector so the tab is on top and the wires are facing you.
- B) Locate the open pin slot in the middle row, third space from the left. Insert the RS3000 harness' GREEN/YELLOW wired pin for Tailgate Window Down Detection; be sure to confirm proper alignment before inserting the pin. Fig 23
- C) Push the connector lock tabs back into the connector. (Not Shown)
- D) Reconnect the 17P connector, and pull the cover back down over it. (Not Shown)

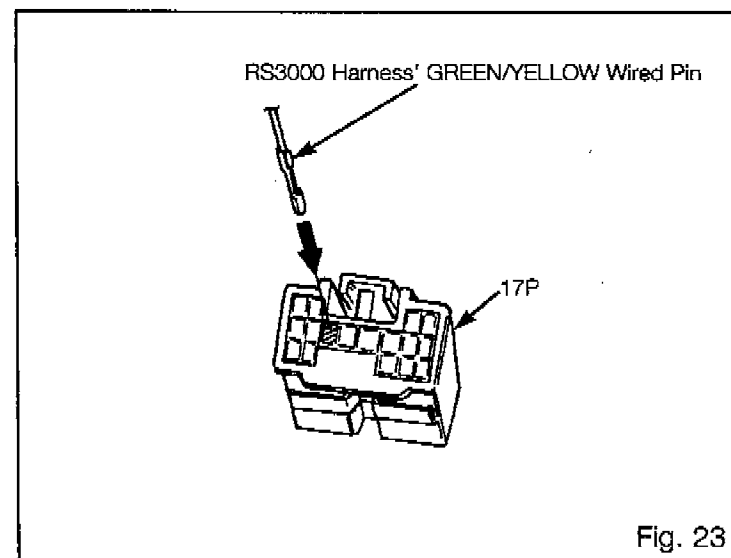


Fig. 23

- (6) A) Locate the RS3000 harness' RED wire and the Piezo "Chirper" RED wire. Fig 24
- B) Using a splicing connector, attach the wires to each other as shown. Fig 24
- C) Locate the RS3000 harness' BLACK wire and the Piezo "Chirper" BLACK wire. Fig 24
- D) Using a splicing connector, attach the wires to each other as shown. Fig 24

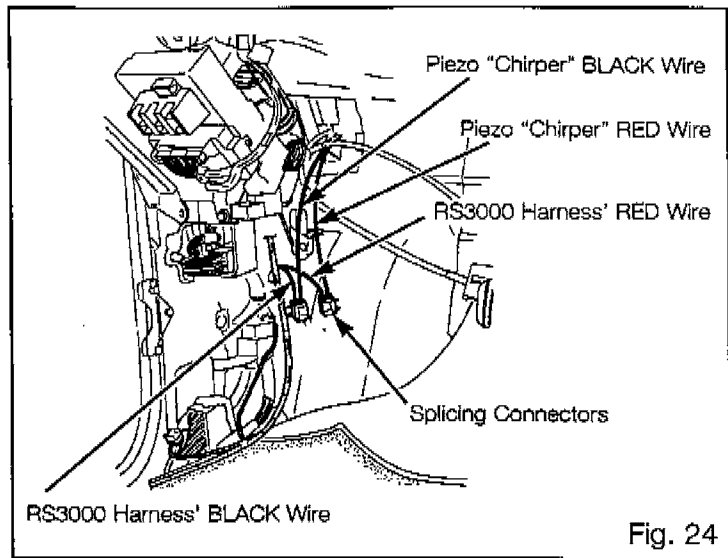


Fig. 24

- (7) Locate and disconnect the blue 13P female (terminals) connector from the connector holder mounted below J/B No. 1. Fig 25

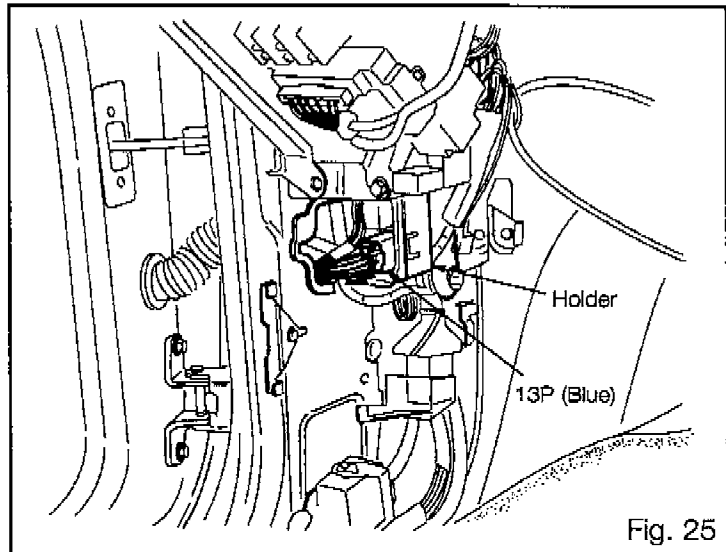


Fig. 25

- (8) A) Insert the RS3000 harness' blue 13P female (terminals) Door Lock Control connector into the connector holder. Fig 26
- B) Insert the vehicle wire harness' blue 13P female (terminals) connector into the RS3000 harness' blue 13P blue male (terminals) Door Lock Control connector. Fig 26
- C) Wrap the remaining blue connectors with a strip of foam tape. (Not Shown)
- D) Insert the loose blue connectors into the hole next to the connector holder. Fig 26

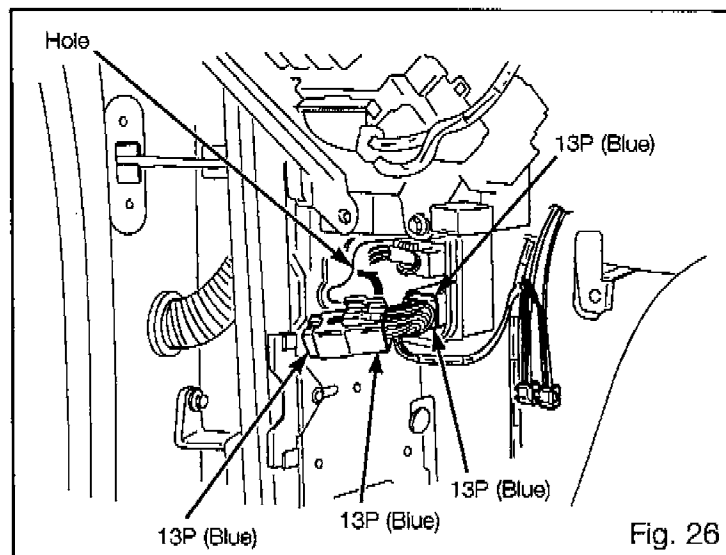


Fig. 26

- (9) Route the RS3000 harness up along the vehicle's wire harness toward J/B No. 1, and secure it with three medium wire ties as shown. Fig 27

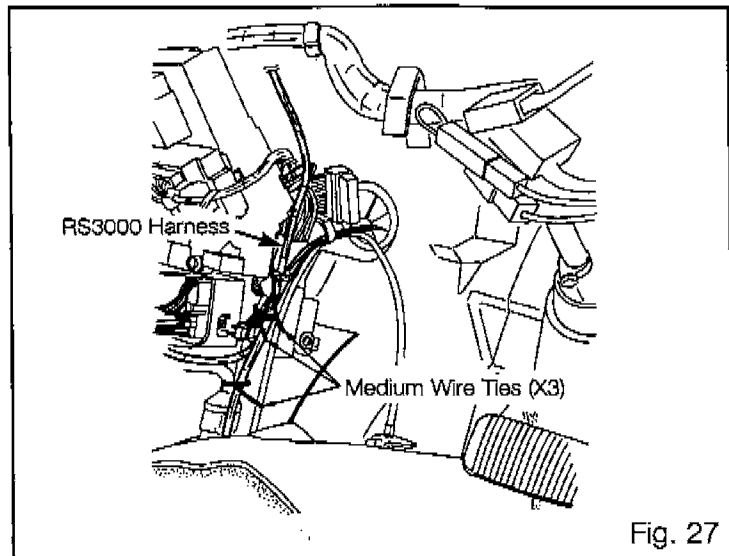


Fig. 27

- (10) Locate and disconnect the 3P connector from the upper back side portion of J/B No. 1. Fig 28

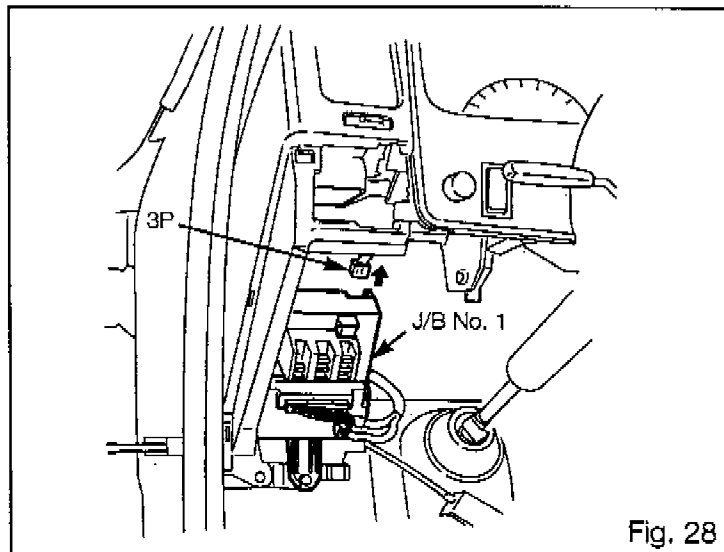


Fig. 28

- (11) A) Insert the RS3000 harness' 3P female (terminals) Door Courtesy connector into the back of J/B No. 1. Fig 29

- B) Insert the vehicle wire harness' 3P female (terminals) connector into the RS3000 harness' 3P male (terminals) Door Courtesy connector. Fig 29

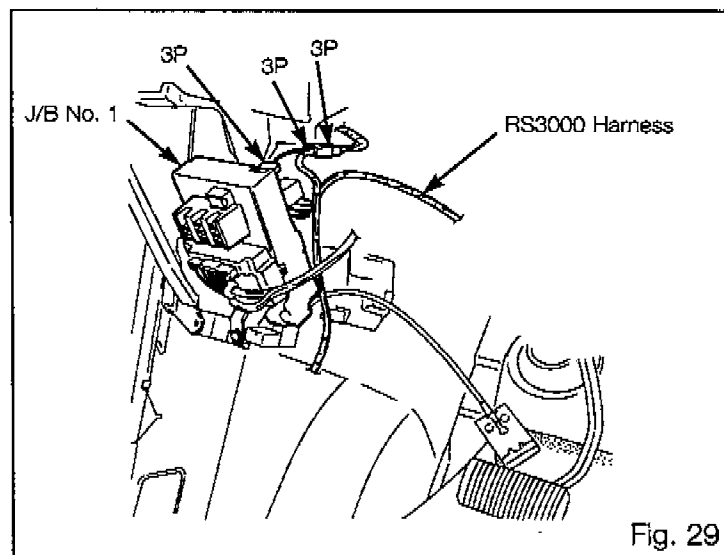
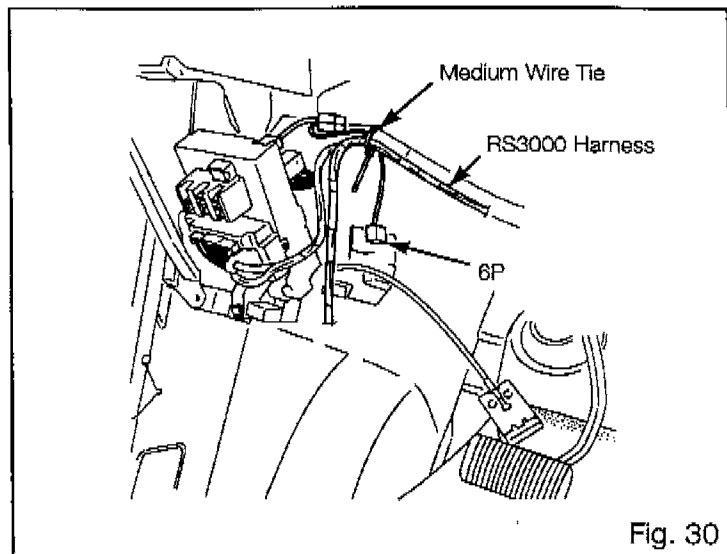


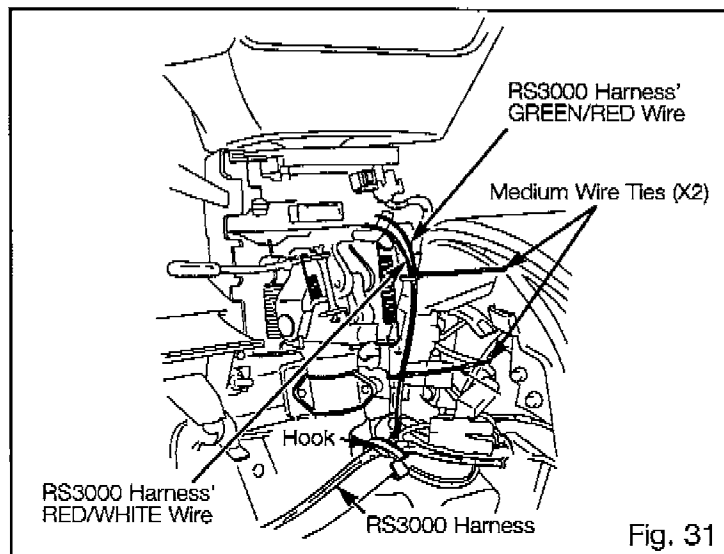
Fig. 29

- (12) Route the RS3000 harness toward the steering column, and secure it to the vehicle's wire harness with a medium wire tie as shown. Fig 30

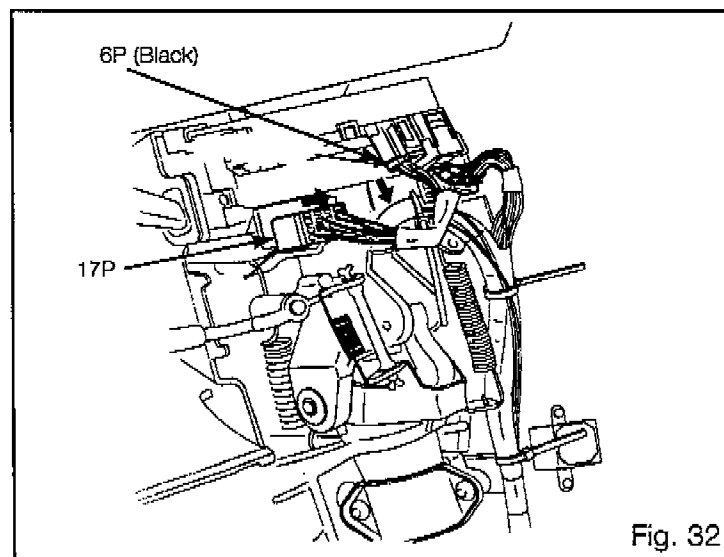


- (13) A) Route the RS3000 harness under the steering column, and secure it with the existing hook. Fig 31

- B) Route the RS3000 harness' GREEN/RED and RED/WHITE wires toward the combination switch connectors, and secure them with two medium wire ties as shown. Fig 31



- (14) Locate and disconnect the white 17P and black 6P Combination Switch connectors. Fig 32



- (15) A) Turn the 6P female (terminals) connector so the wires face you and the tab is on top. Fig 33
- B) Locate the wire in the left corner. Using a splicing connector, attach the RS3000 harness' GREEN/RED Horn wire. Fig 33
- C) Turn the 17P female (terminals) connector so the wires face you and the tab is on top. Fig 33
- D) Locate the wire in the bottom row, fourth space from the left. Using a splicing connector, attach the RS3000 harness' RED/WHITE Tail Light wire. Fig 33

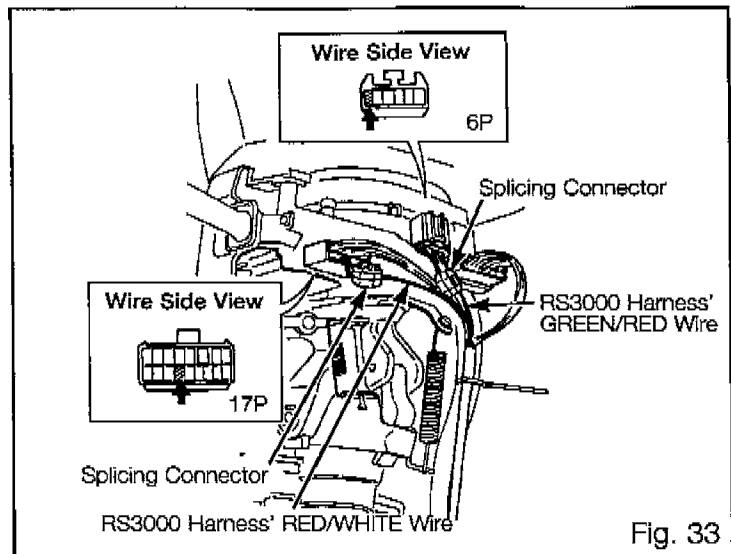


Fig. 33

- (16) A) Reconnect the 17P and black 6P connectors. Fig 34
- B) Secure the RS3000 harness' GREEN/RED and RED/WHITE wires to the vehicle's wire harness with a medium wire tie as shown. Fig 34

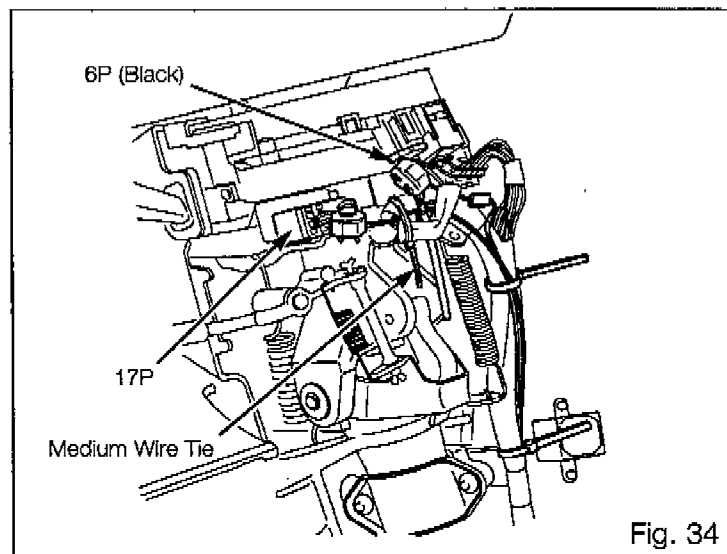


Fig. 34

- (17) Locate and disconnect the 8P female (terminals) connector from the Ignition Switch cylinder. Fig 35

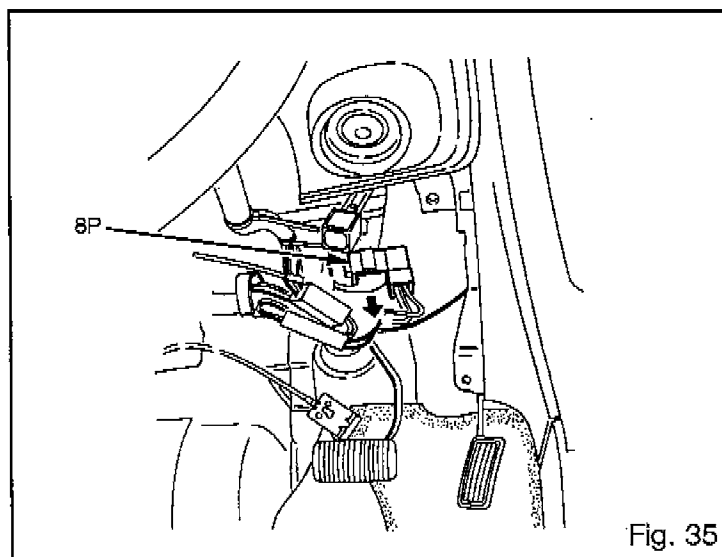


Fig. 35

(18) A) Insert the RS3000 harness' 8P female (terminals) Ignition Switch connector into the Ignition Switch cylinder. Fig 36

B) Insert the vehicle wire harness' 8P female (terminals) connector into the RS3000 harness' 8P male (terminals) Ignition Switch connector. Fig 36

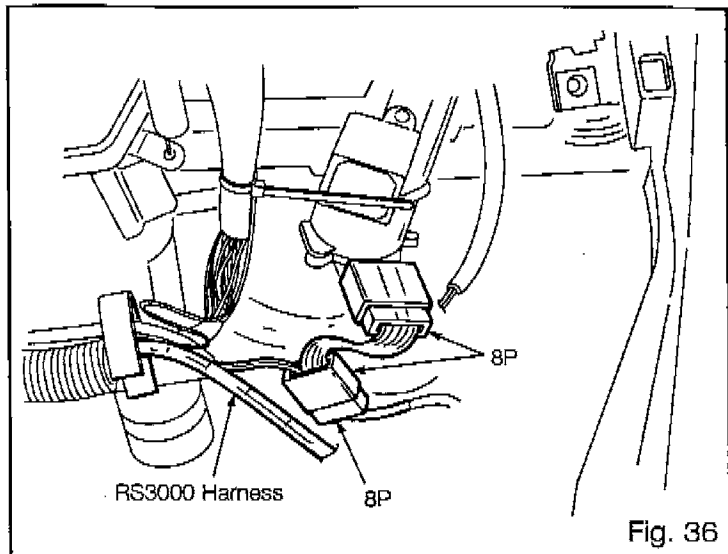


Fig. 36

(19) A) Locate and disconnect the 4P or 2P connector next to the 8P Ignition Switch connector. Fig 37

B) Turn the 4P or 2P female (terminals) connector so the wires face you and the tab is on top. Fig 37

C) Locate the wire in the upper left corner of a 4P connector, or the left corner of a 2P connector. Using a splicing connector, attach the RS3000 harness' PINK/BLACK Key Unlock Warning wire. Fig 37

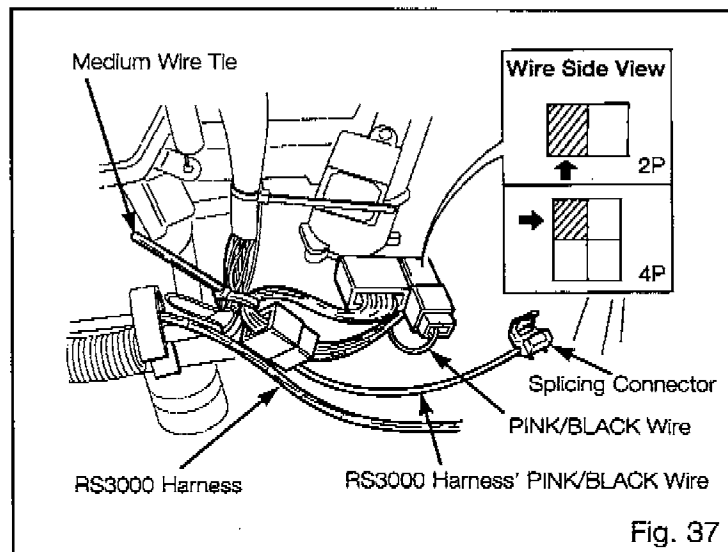


Fig. 37

(20) A) Route the GRAY Antenna Wire to the Ignition Switch cylinder, and secure it with a large wire tie as shown. Fig 38

B) Reconnect the 4P or 2P connector. (Not shown)

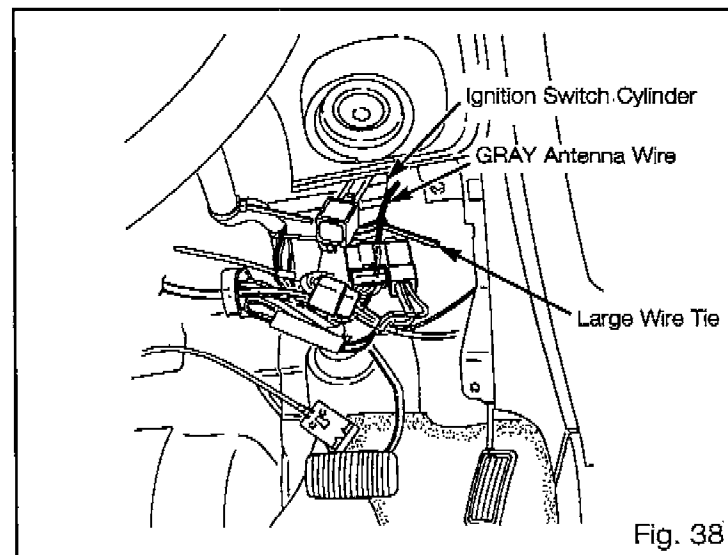
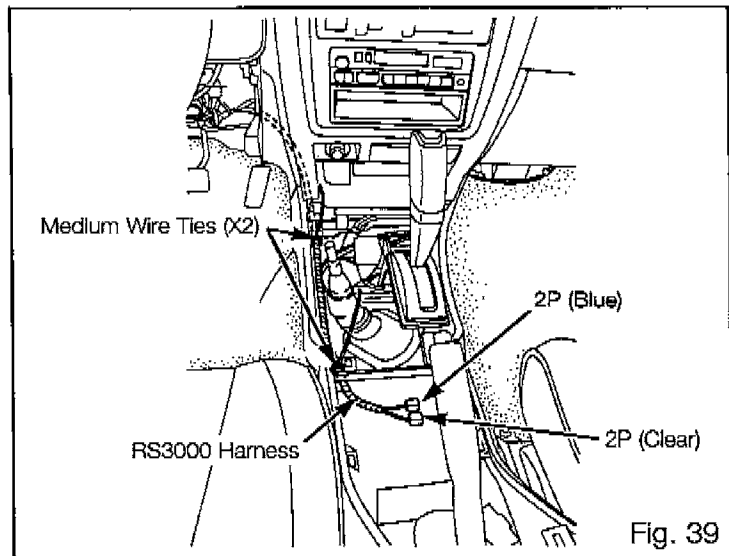


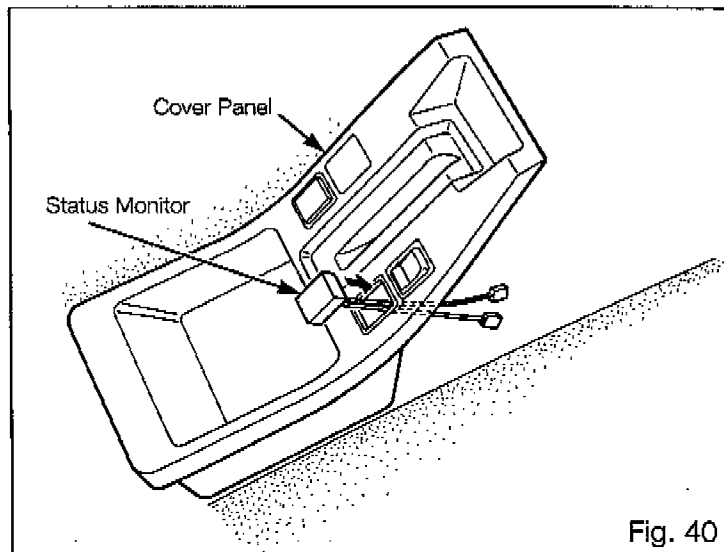
Fig. 38

- (2) Route the RS3000 harness through the center console area, and secure it with two medium wire ties as shown. Fig 39



STATUS MONITOR INSTALLATION

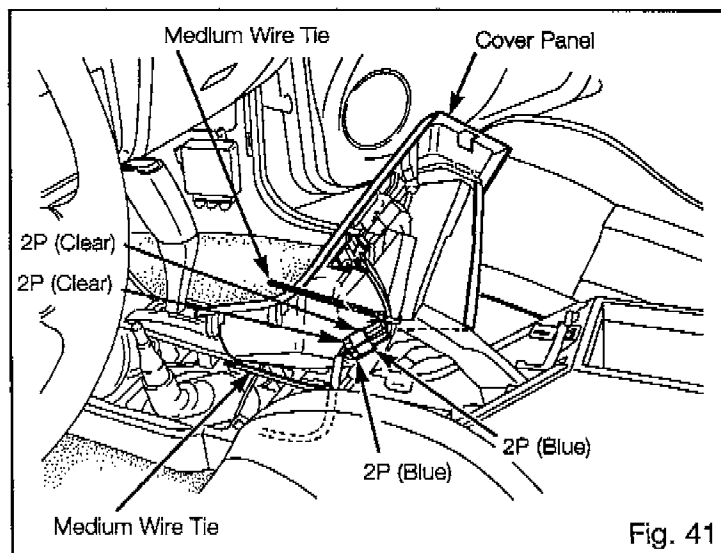
- (1) Insert the Status Monitor 2P connectors through the open knockout hole in the center console cover panel, and install the Status Monitor into it as shown. Fig 40



- (2) A) Connect the Status Monitor's clear 2P connector to the RS3000 harness' clear 2P connector, and the Status Monitor's blue 2P connector to the RS3000 harness' blue 2P connector. Fig 41

- B) Secure the Status Monitor connectors' wiring to the vehicle's wire harness with two medium wire ties as shown. Fig 41

- C) Re-install the center console cover panel. Fig 41



GLASS BREAKAGE SENSOR CONTROLLER INSTALLATION

- (1) A) Insert two medium wire ties through the openings on the back cover of the Glass Breakage Sensor Controller. Fig 42
- B) Using a small, flat blade screwdriver, turn the adjustment screw to the "6" position. Fig 42

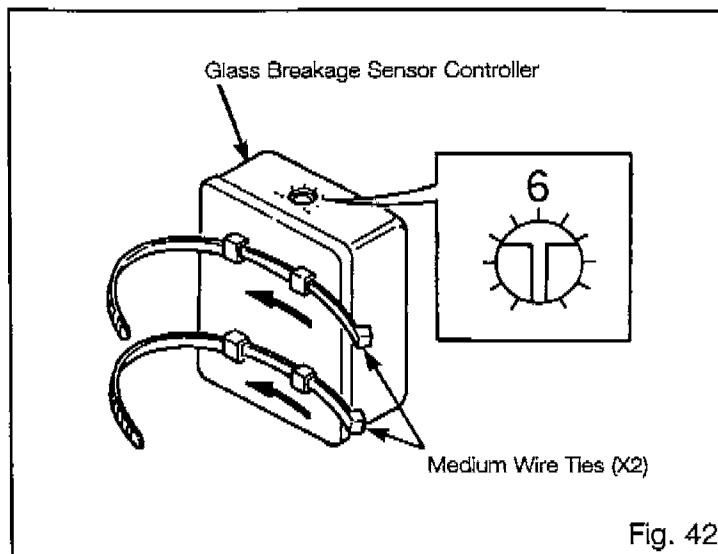


Fig. 42

- (2) A) Locate the RS3000 harness' 6P connector back in the driver's cowl area near J/B No. 1. Fig 43
- B) Plug in the RS3000 harness' 6P connector into the Glass Breakage Sensor Controller. Fig 43
- C) Secure the Glass Breakage Sensor Controller and 6P connector wire to the vehicle's wire harness as shown. Fig 43

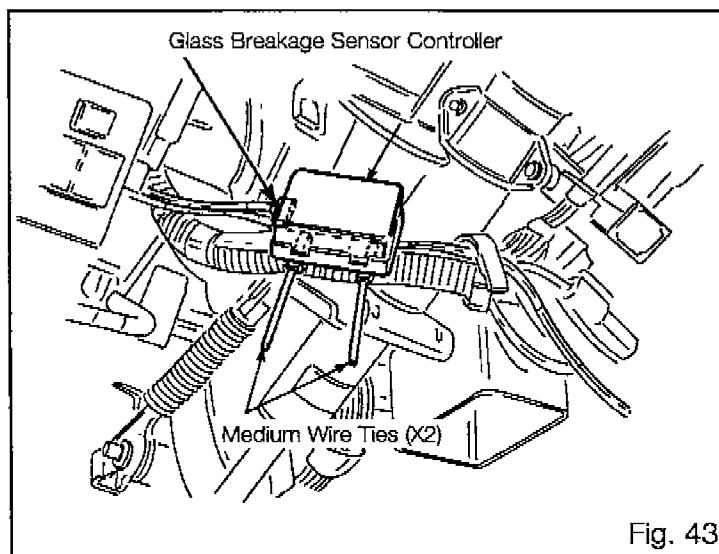


Fig. 43

NOTE

THE GLASS BREAKAGE SENSOR CONTROLLER MUST BE ACCESSIBLE TO MAKE ANY NECESSARY ADJUSTMENTS DURING TESTING AND ADJUSTMENT. FALSE "ALARMS" MAY OCCUR IF THE SENSITIVITY LEVEL IS SET TOO HIGH, AND THE SYSTEM MAY NOT TRIGGER PROPERLY IF THE SETTING IS TOO LOW. AFTER THE TESTING AND ADJUSTMENTS ARE COMPLETE, TIGHTEN THE WIRE TIES, AND CUT OFF THE EXCESS LENGTH.

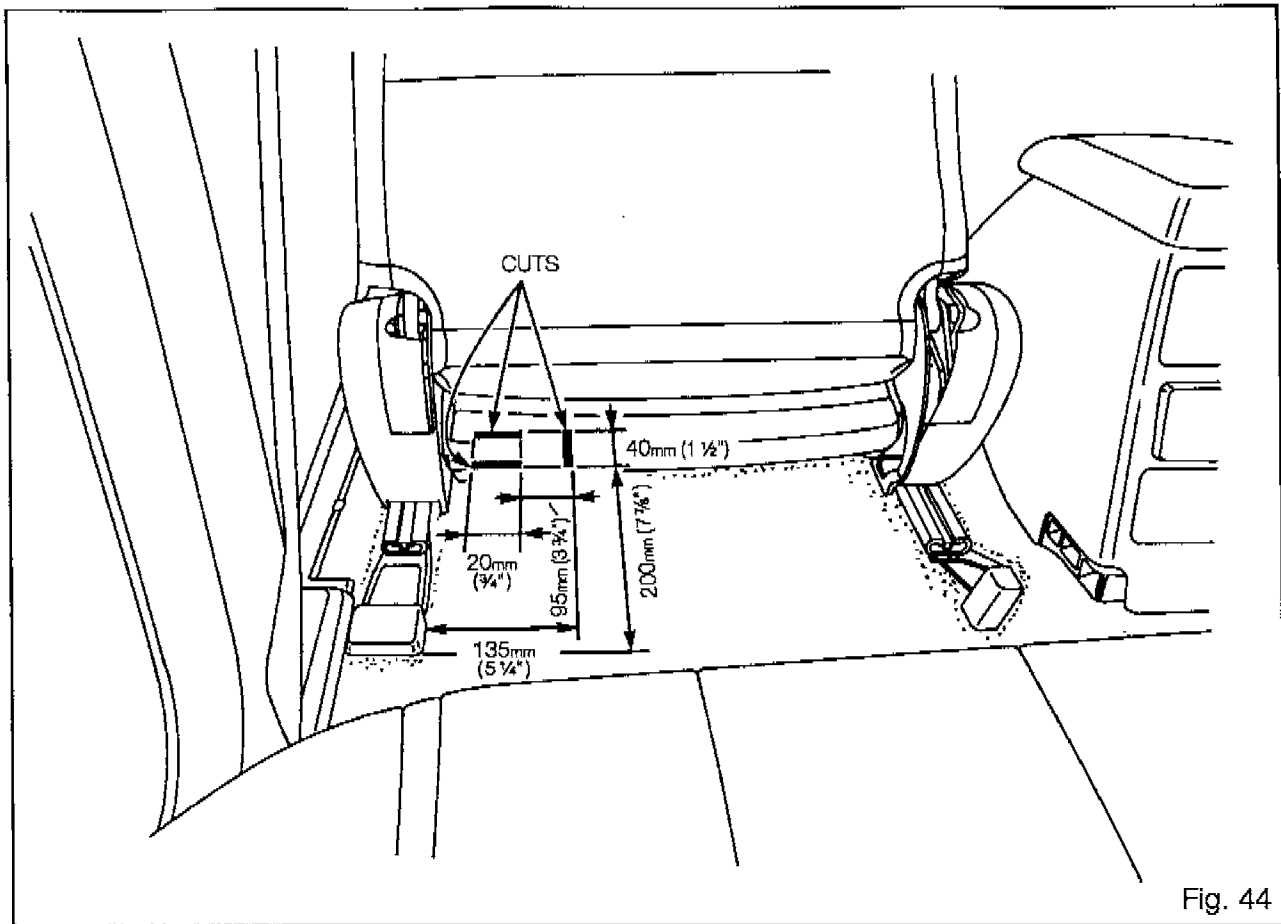


Fig. 44

NOTE

BEFORE MOUNTING THE ECU, TEMPORARILY CONNECT THE ECU CONNECTORS TO THE ECU. ALSO, TEMPORARILY CONNECT THE NEGATIVE BATTERY CABLE TO THE BATTERY. SKIP TO THE "TEST THE SYSTEM" SECTION, AND PERFORM THE FUNCTION CHECKS. COMPLETE THE INSTALLATION AFTER FINISHING THE FUNCTION CHECK.

RS3000 ECU MOUNTING

- (1) Measure, mark, and cut the carpeting beneath the driver's seat as shown. Fig 44
- (2) A) Insert the ECU's tongue into the carpet as shown. Fig 45
- B) Feed one end of the black reusable wire tie under the carpet and through both holes of the ECU bracket as shown. Fig 45

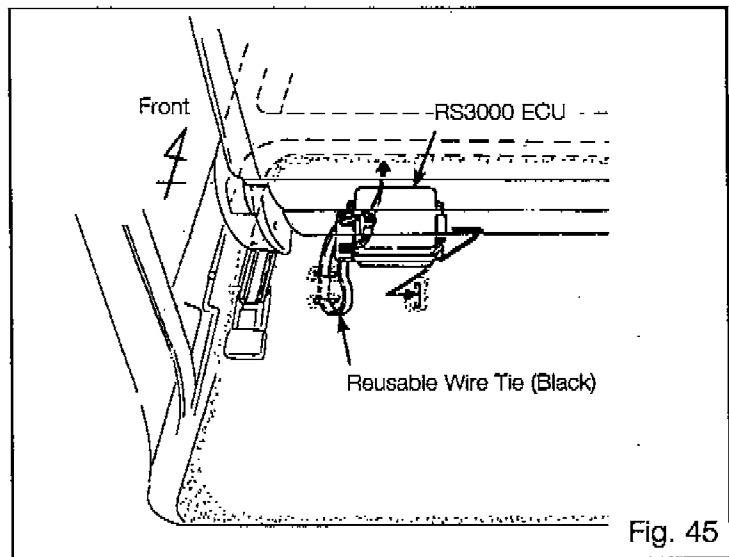
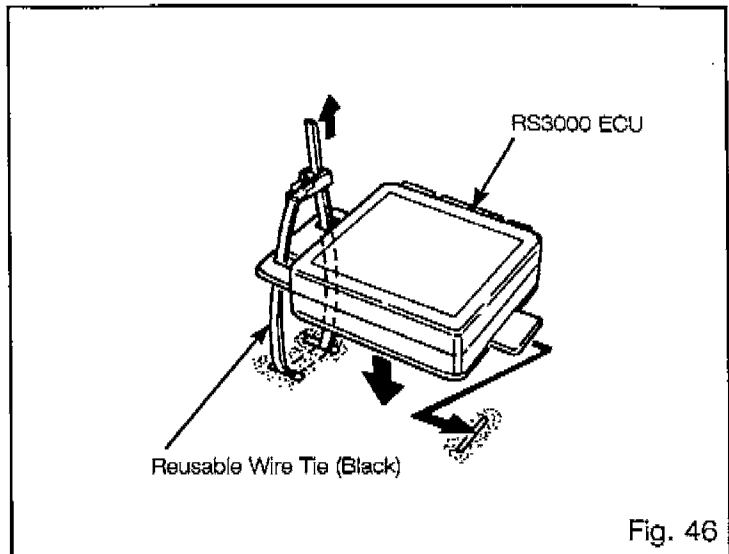


Fig. 45

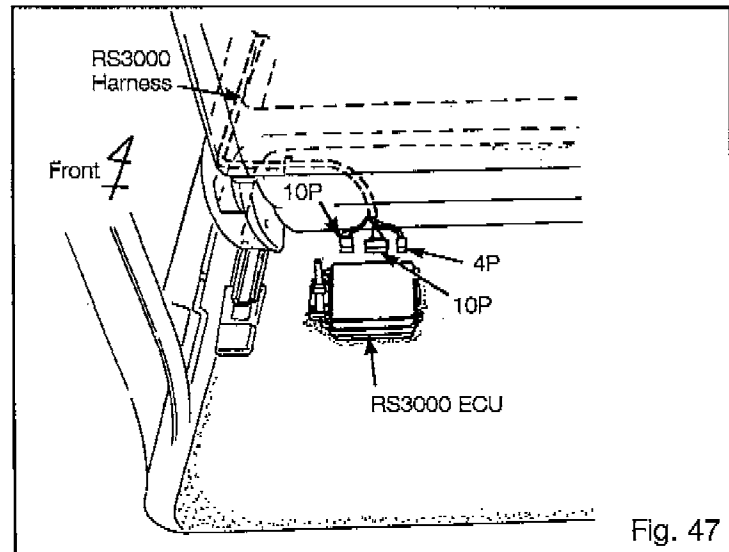
- (3) Secure the ECU to the carpet as shown.
Fig 46

NOTE

DO NOT CUT OFF THE EXCESS LENGTH OF THE REUSABLE WIRE TIE, JUST TUCK IT BACK UNDER. FIG 46



- (4) Plug in the RS3000 harness' 10P, 10P, and 4P connectors into the RS3000 ECU.
Fig 47



V.I.P. WARNING STICKER MOUNTING

- (1) A) Clean the inside surface on the driver's and front passenger's door windows.
(Not shown)
- B) Attach the warning stickers to the inside of the door windows as shown.
Fig 48

TIP

USE A PIECE OF ADHESIVE TAPE ("SCOTCH" TAPE) TO LIFT THE WARNING LABELS FROM THE PROTECTIVE BACKING MATERIAL. HANDLING THE LABELS THIS WAY IS EASIER, AND HELPS ELIMINATE PERMANENT FINGERPRINTS SHOWING THROUGH THE STICKERS.

